



## Customer specification



# Diesel MainCare HDM Diesel Fine Filtration for Engine-Side Installation

## 1. DESCRIPTION

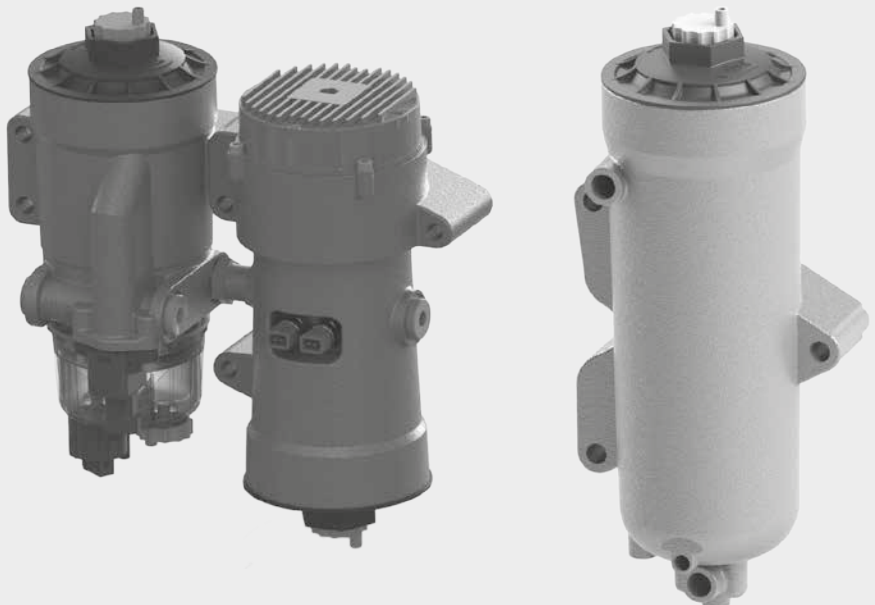
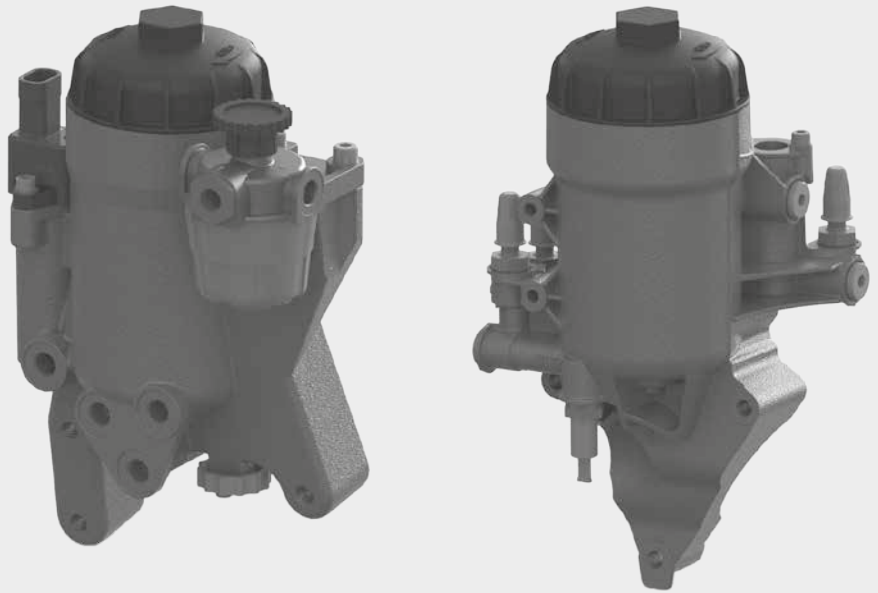
### 1.1 FILTER

Today's injection pressures of up to 3000 bar call for very high fuel cleanliness levels. Effective fine filtration is crucial to preserve the injection components. HYDAC Diesel MainCare was developed as a cup filter system to meet the stringent demands for fine filtration and achieves a cleanliness class of 12/9/6 even when subjected to engine vibration and load cycle changes. High capacity filter elements designed for specific applications and highly compact, complete filters form the basis of our products. Our products are also compatible with all standard mineral fuels and bio-fuels and demonstrate sustainability through the use of metal-free elements. Excellent cold-start characteristics, even when fuel has already thickened up, completes the picture.

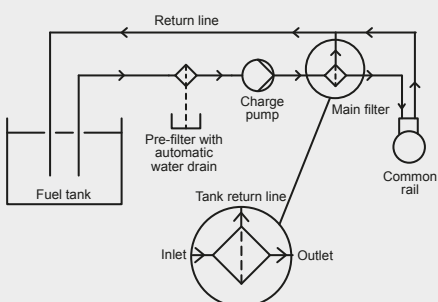
### 1.2 PRODUCT ADVANTAGES

- Fitted with the latest Dieselmicron® element technology
- Increased operational reliability due to high-performance filter media
- Extremely easy to service due to simple, quick element changes
- Environmentally friendly due to incinerable filter elements
- Versatile in use due to flexible types of connection
- Cost-effective and efficient pipe installation due to optimised connection options in the housing

### Examples of customised applications:



### Symbol for hydraulic systems



Please contact HYDAC Head Office or your local area office for further advice.

# NOTES

A large grid for taking notes, consisting of many small squares.

### NOTE

The information in this brochure relates to the operating conditions and applications described.  
For applications or operating conditions not described, please contact the relevant technical department.  
Subject to technical modifications.

**HYDAC Filbertechnik GmbH**  
Industriegebiet  
**D-66280 Sulzbach/Saar**  
Tel.: 0 68 97 / 509-01  
Fax: 0 68 97 / 509-300  
Internet: [www.hydac.com](http://www.hydac.com)  
E-Mail: [filter@hydac.com](mailto:filter@hydac.com)