

# Pressure switch

## Type DV7.2

With two adjustable change-over switch

### Superior conception

Piston type pressure switch with one change-over switch, easily adjustable over the entire pressure range, with scale for presetting of the pressure switching point.



### Real Swiss quality

Designed for rough operating conditions, insensitive to hydraulic overloads, specially developed piston seal, housing made of anodized light metal alloy, degree of protection IP 65, with instrument plug according to DIN 43650.

### Easy to install

Ideal overall dimensions, can be mounted in any operation position, turnable under full pressure around the longitudinal axis, instrument plug turnable by 4 x 90°.

(HLP-oils according to DIN 51524), other mediums on request.

### Damping

For the protection of the pressure switch we recommend the installation of a damping element as for example a throttle screw with double fitting according to the table below.

### Universal application

7 pressure ranges for the optimal adaptation to any operating pressure, suitable for mineral oils

### Product information

Type	Pressure [bar]	Overload max. [bar]	Part No.
DV7. 70.29007	70	150	3646012
DV7. 100.29010	100	300	3682681
DV7. 160.29016	160	300	3674639
DV7. 250.29025	250	1200	3665347
DV7. 400.29040	400	1200	3661924
DV7. 600.29060	600	1200	3682754
DV7. 1000.29100	1000	1200	3658057

## Type DV7.2

With two adjustable  
change-over switch

### Electrical switching capacity

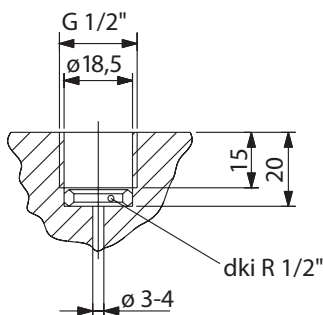
AC-15	2 A/ 125 V... 250 V
DC-13	2 A/ 30 V
DC-12	4 A/ 30 V

### General information

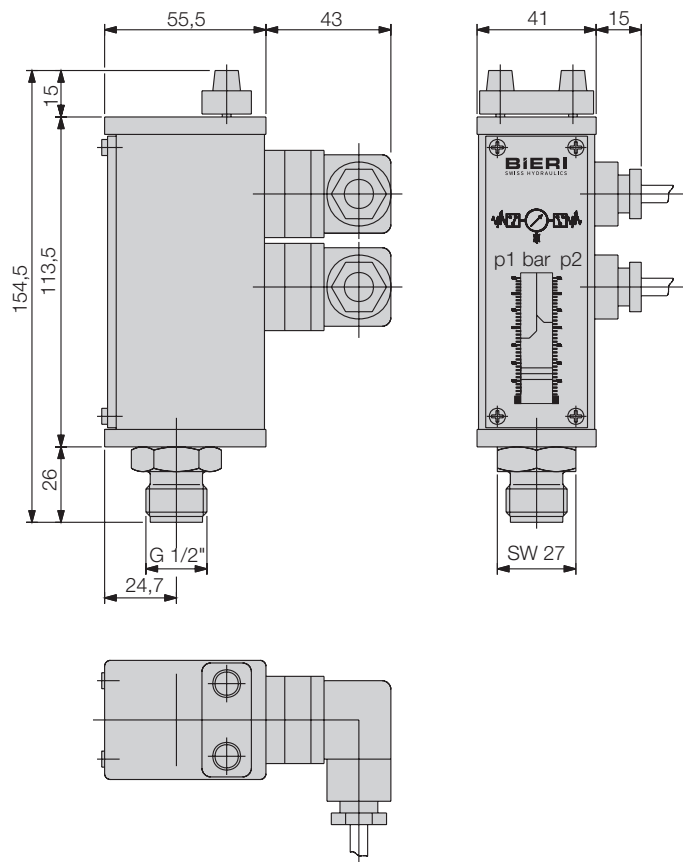
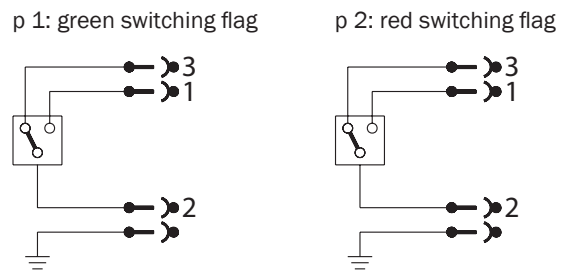
Switching hysteresis of the scale end value	2 - 10%
Repeat accuracy of the scale value	1%
Degree of protection	IP 54
Class of insulation	I
	4.0
Standard	IEC 60947-5-1

### Hydraulic connection

Up to 640 bar same as for pressure  
gauges according DIN 2353.  
Above 640 bar connection thread  
as shown below, with seal ring dki 1/2"  
BSP (Ermeto).



### Wiring diagramme



### Bieri Hydraulik AG

Könizstrasse 274  
CH-3097 Liebefeld  
Tel. +41 31 970 09 09 | Fax +41 31 970 09 10  
info@bierihydraulics.com | www.bierihydraulics.com  
2/2

The information in this brochure relates to the operating conditions and applications described.  
For applications and operating conditions not described, please contact the relevant technical department.  
Subject to technical modifications.

DV7-2\_1511